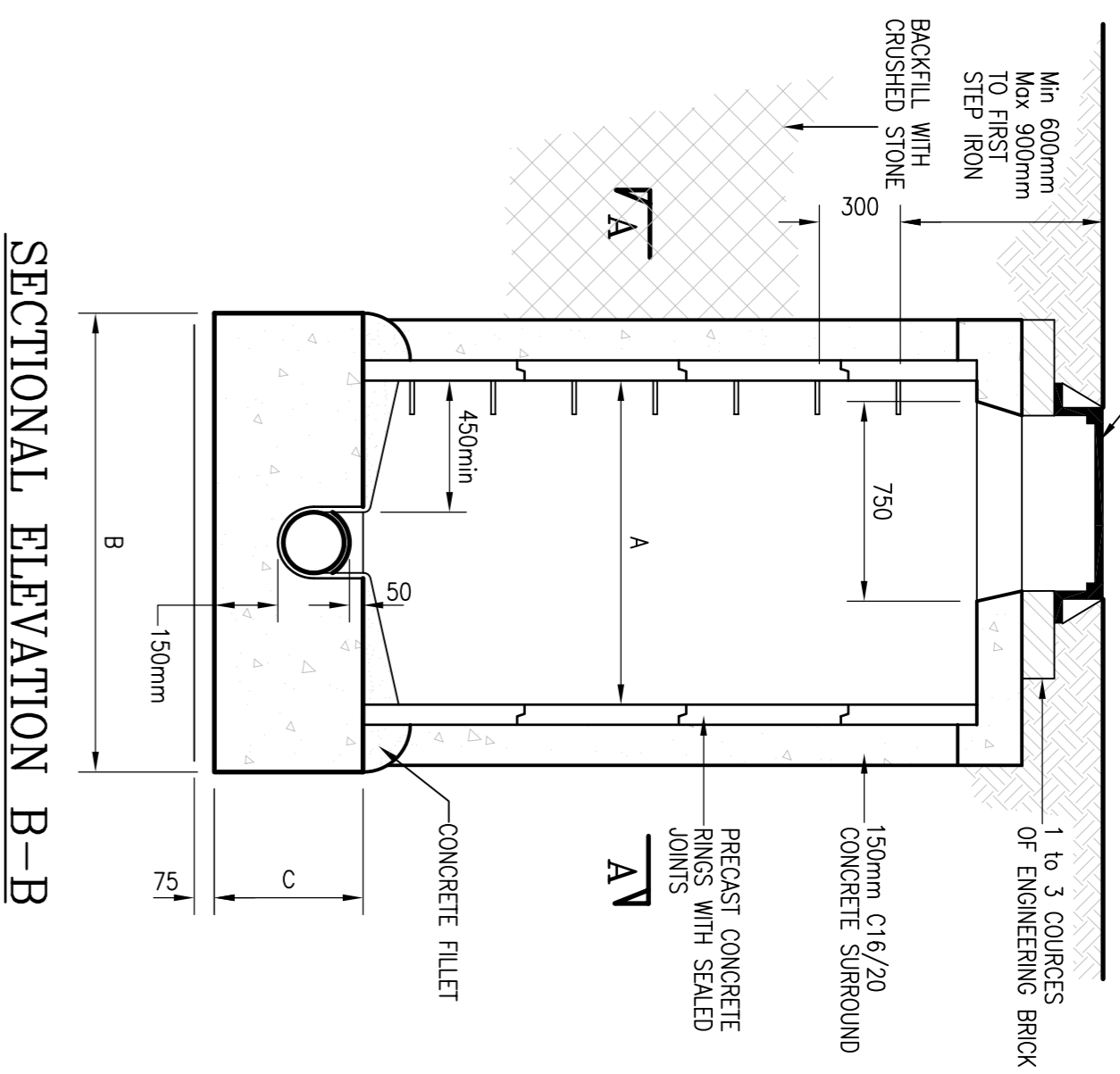
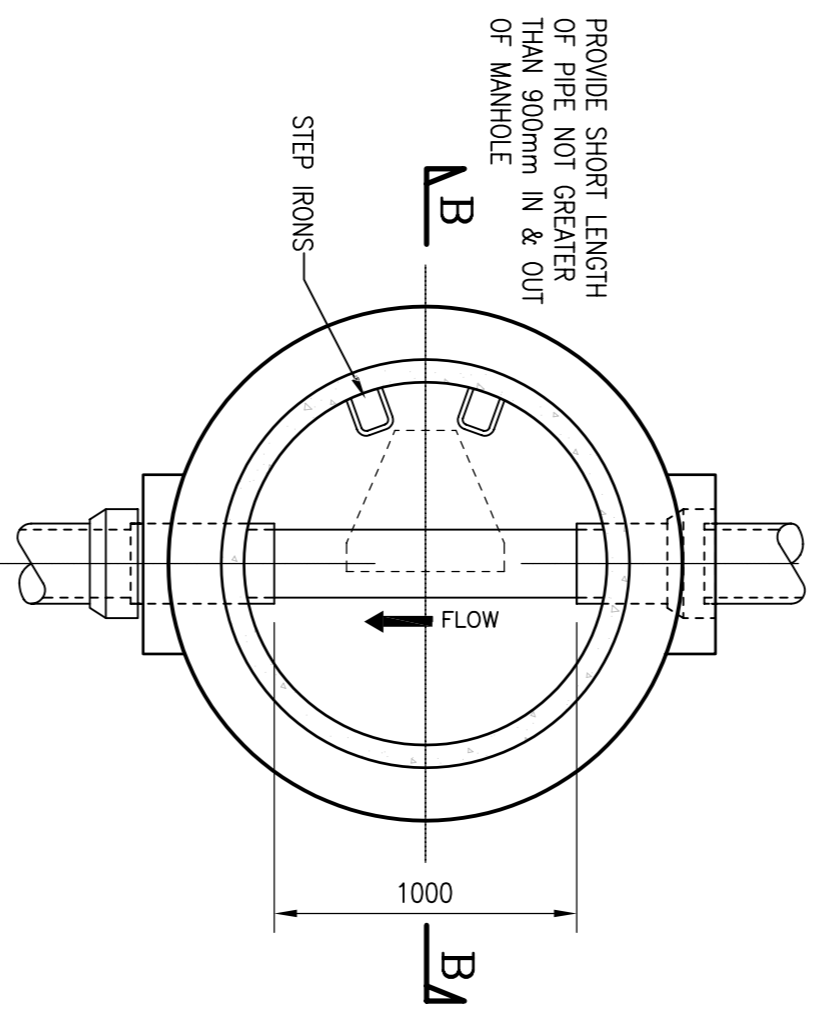


D400 COVER & FRAME TO S/EN 124
BRONITE HEAVY DUTY LID TO BE USED FOR COVER



SECTIONAL ELEVATION B-B

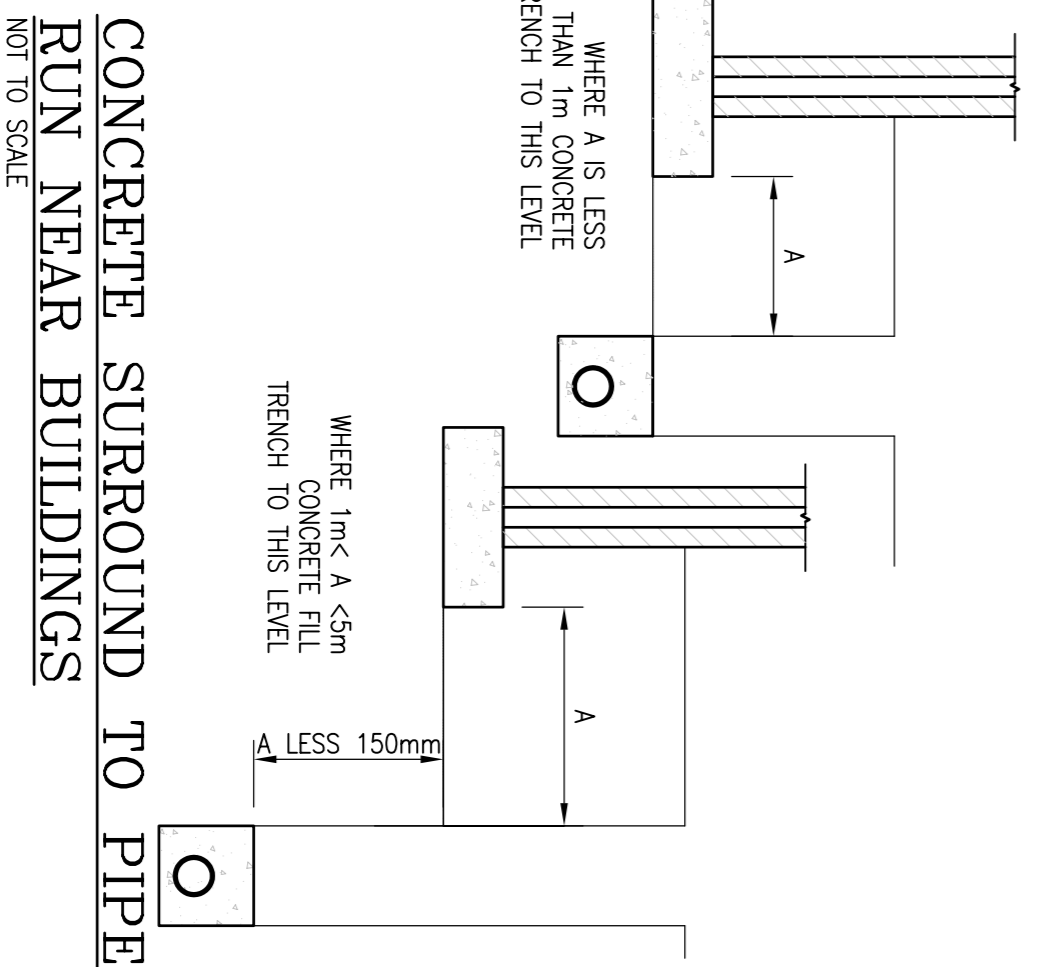


SECTION A-A

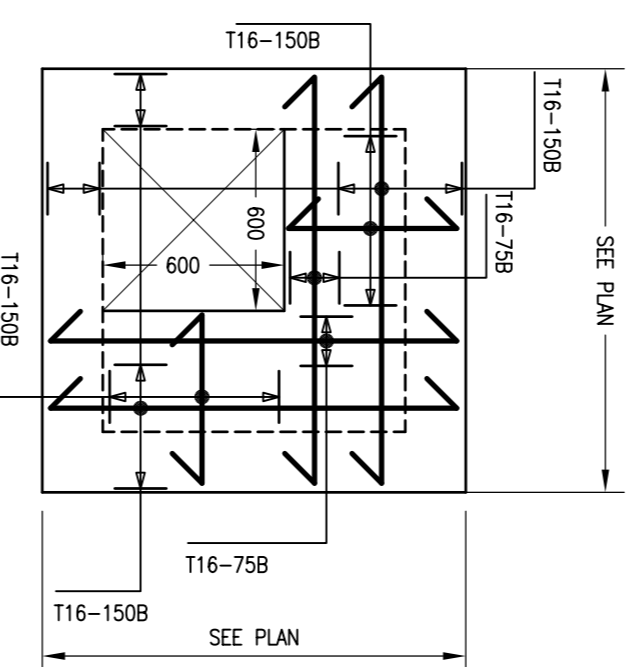
MANHOLE SIZES

Spacer (D mm)	Chamber (A mm)	High Base (B mm)	High Base (C mm)
150	1050	1550	500
225	1200	1700	500
300	1200	1700	550
375	1200	1700	650
450	1350	1850	750
525	1350	1850	800
600	1350	1850	900
675	1350	1850	1000
750	1500	2000	1100
825	1500	2000	1150
900	1800	2350	1250
975	1800	2350	1350
1050	1800	2350	1400
1125	1800	2350	1500

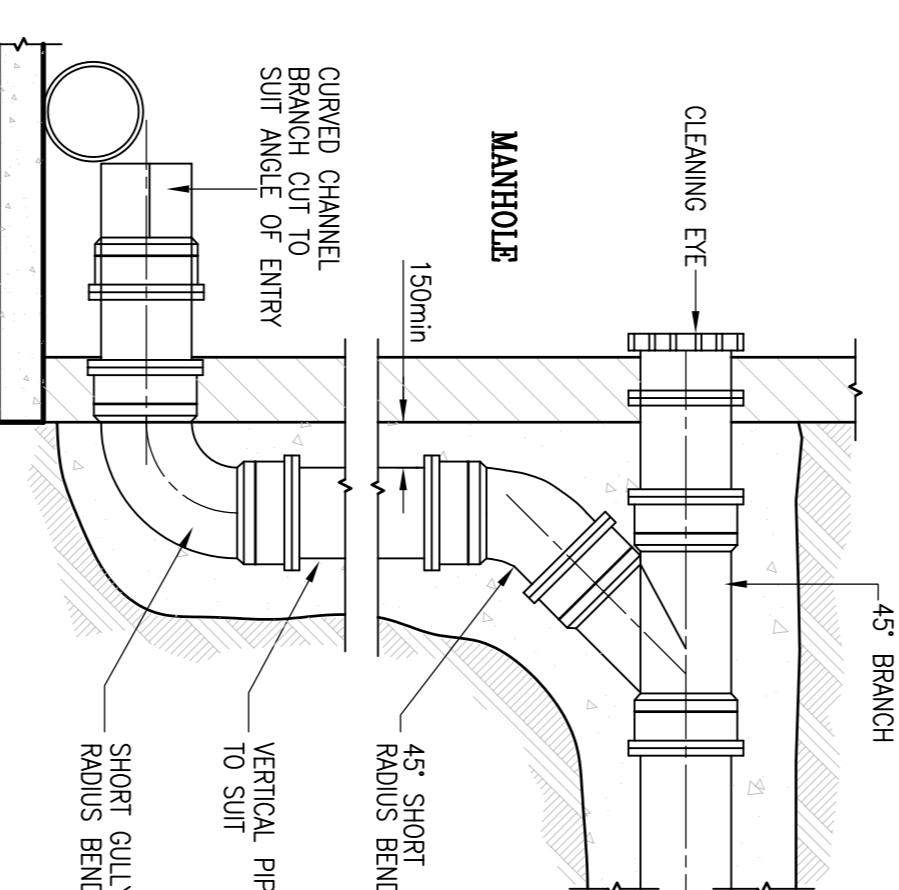
PC CONCRETE CIRCULAR MANHOLES
SCALE 1:25



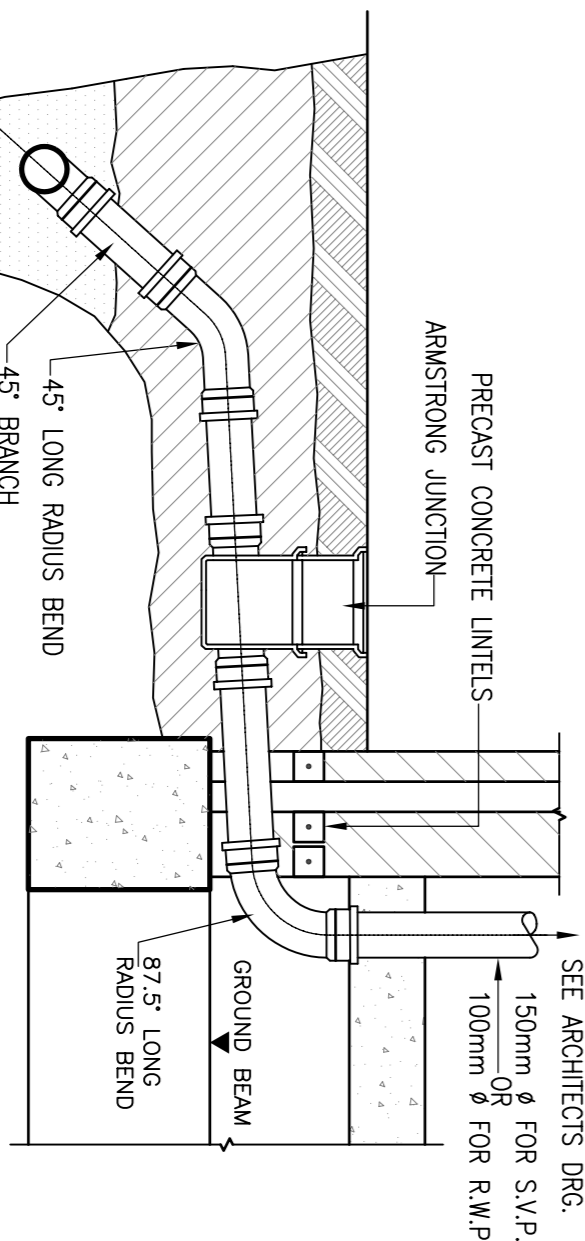
CONCRETE SURROUND TO PIPE RUN NEAR BUILDINGS
NOT TO SCALE



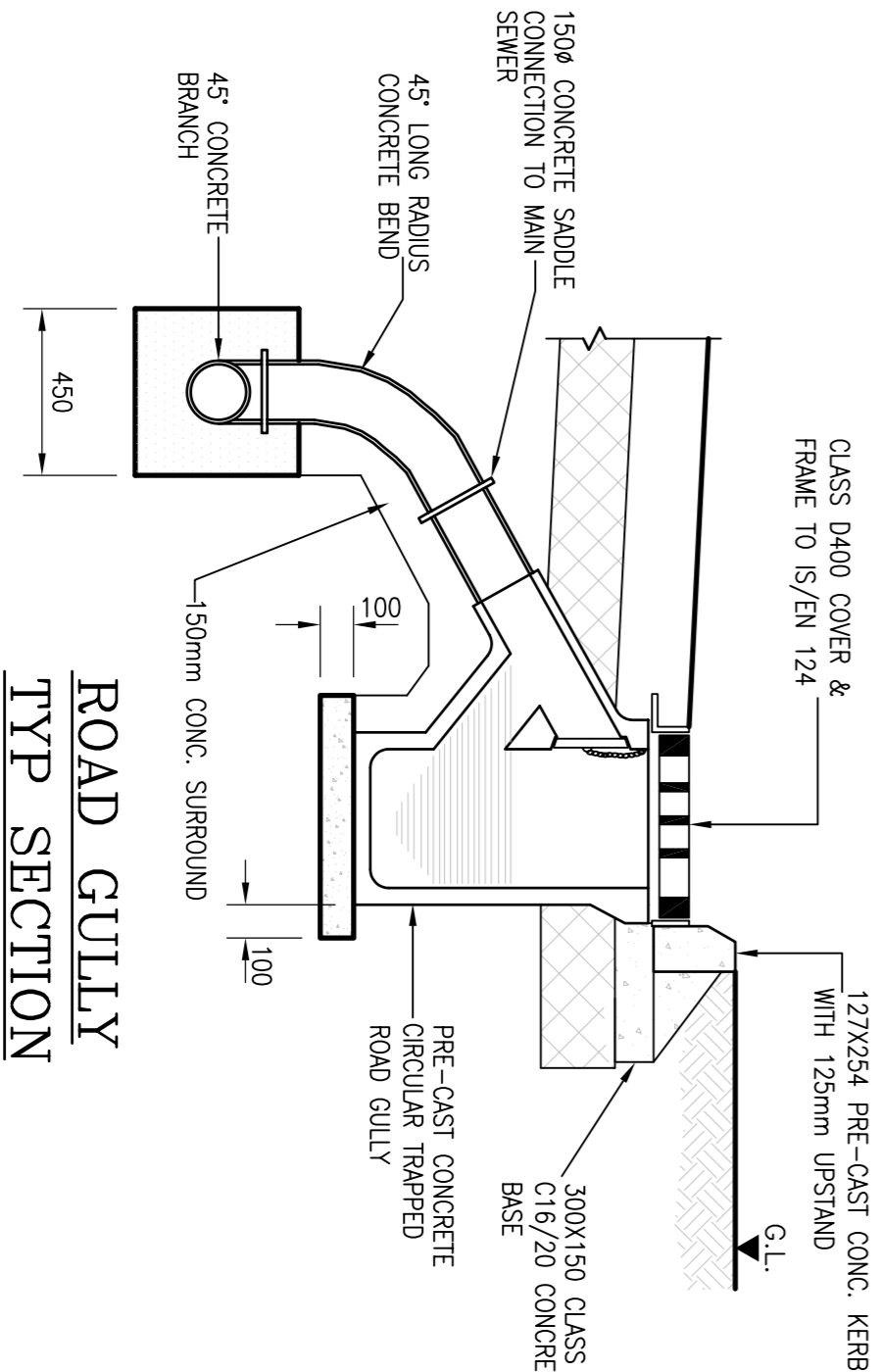
MANHOLE ROOF SLAB DETAIL
SCALE 1 : 25



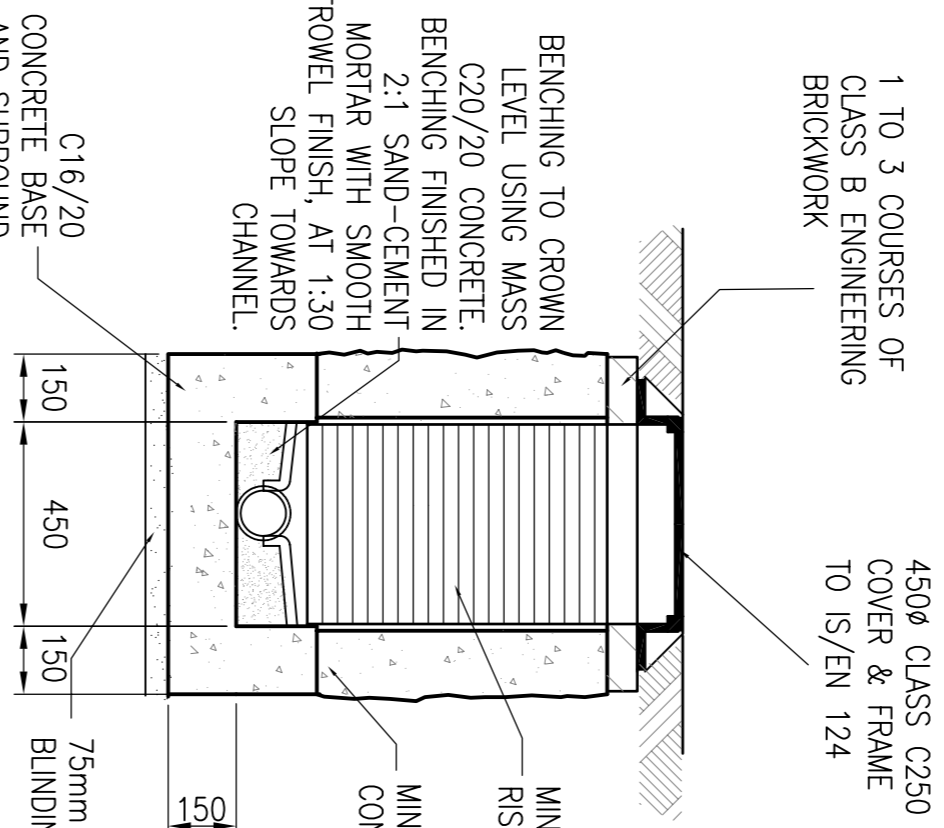
BACKDROP MANHOLE DETAIL
SCALE 1:25



CONNECTION OF R.W.P./S.V.P. TO MAIN SEWER
SCALE 1:50



ROAD GULLY TYP SECTION
SCALE 1:20

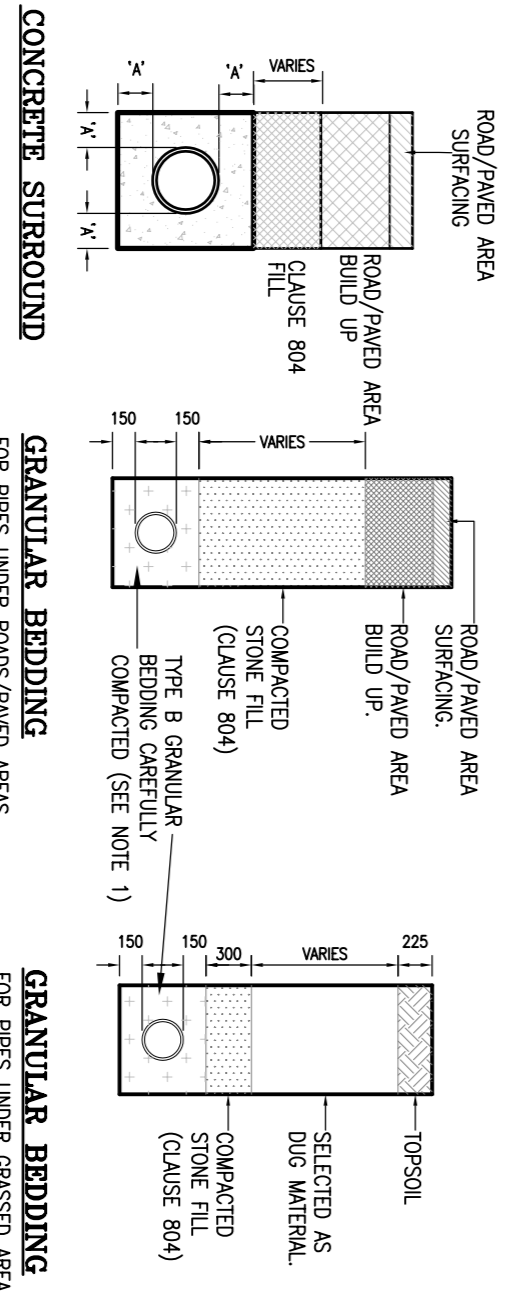


TYPICAL INSPECTION CHAMBER DETAIL
SCALE 1:25

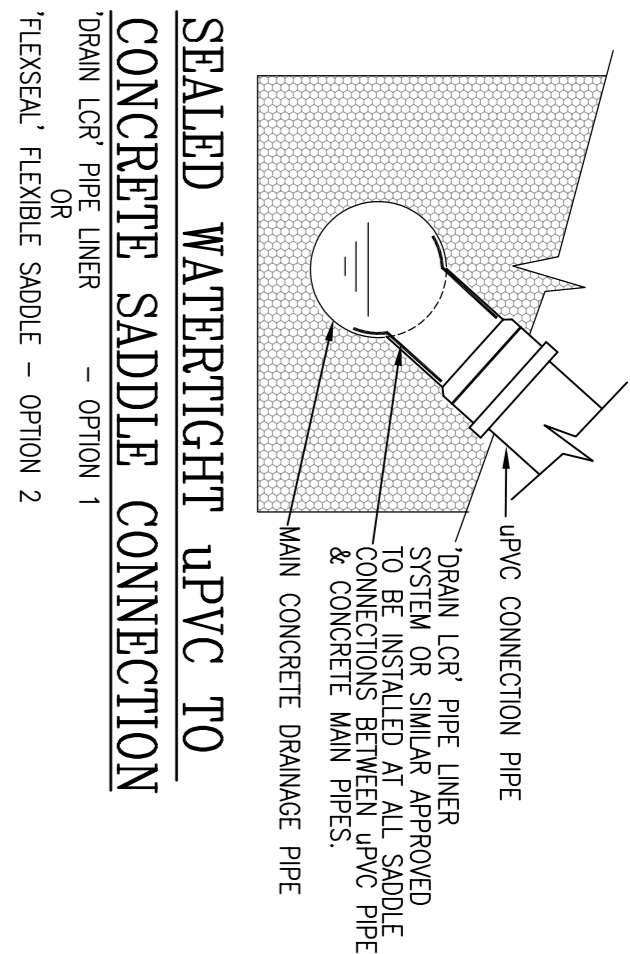
SECTION A-A

INSPECTION CHAMBER BASE

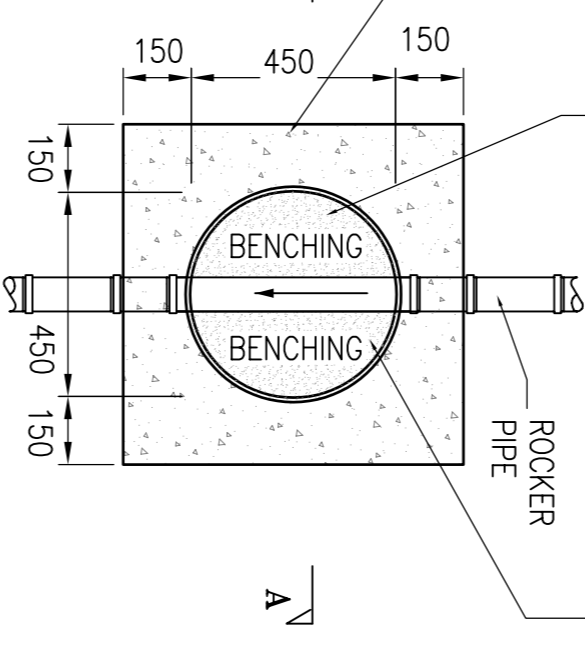
NOTES:
1. GRANULAR BEDDING TYPE B SHALL CONSIST OF GRAVEL GRADED FROM 5.0mm TO 4.75mm, OTHER GRANULAR MATERIALS MAY BE USED SUBJECT TO APPROVAL



TYPICAL FOUL SEWER & SURFACE WATER PIPE BEDDING DETAILS
NOT TO SCALE



BENCHING TO GROWN LEVEL USING MASS C16/20 CONCRETE. BENCHING FINISHED IN 2:1 SAND-CEMENT MORTAR WITH SMOOTH TROWEL FINISH, AT 1:30 SLOPE TOWARDS CHANNEL.



Punch Consulting Engineers
All drawings remain the property of the Consultant. Consultants and their work are not to be reproduced without their written consent. Consultants to be informed immediately of any discrepancies before work proceeds.

Rev.	Description	By	Date	Rev.	Description	By	Date
PL0	ISSUED FOR PLANNING	JR	06-03-2013				

Client: **KILKENNY CITY & COUNTY LIBRARY**
Title: **STANDARD DETAILS SHEET 1**

Project: **DUBLIN LINERICK**
Address: **112235-005**

Scale: **AS SHOWN**
Date: **MARCH 2012**

Author: **J.R. JILKIN**
Check: **JILKIN**

Project No: **112235-005**
Rev: **PL0**